



SINCE 1976

修附電機



ISO 9001
BSMI

標檢局

ISO-9001/CNS 12681

SS-

污物用

SSA-

自動浮球

SS

Sewage pump

SSA

Automatic sewage
pump

SST-

污物用-矽碳鋼

STA-

自動浮球-矽碳鋼

~機械軸封~

特殊矽碳鋼

SST

Sewage pump

STA

Automatic sewage pump

SHOWFOU PUMP

SS/SSA Submersible Sewage Pump

-- With Ceramic Carbon Mechanical Seal

SST/STA Submersible Sewage Pump

-- With Silicon Carbide Mechanical Seal



SS 1/2HP~15HP

SSA 1/2HP&1HP

SST 1HP~15HP

STA 1HP

SHOWFOU Submersible Sewage Pumps

Advanced "Shredder Mechanism"

Unique "Epoxy Cable Sealing Base" to ensure 100% capability to block the water vapor into the motor from outside.

Triplex Seal System - Double Mechanical Seal plus Oil Seal

SS / SSA / SST / STA

■ FEATURES:

- * **Impeller** : Hydrodynamically well-balanced single-vaned semi-open non-clogging type.
- * **Mechanical Seal** : Oil-bath type, double mechanical seal & oil seal offers which ensure a longer pump life.
- * **Shredder Mechanism** : Surface hardening heat treatment is done on impeller vanes and cutting edges on impeller cover, both of which are the main components of shredder mechanism.
- * **Compact and Light-Weight**: Designed to be light, so easy to carry and handle.
- * **Quiet** : Dynamic balance adjuster enables pump to run balanced with less noise in addition to underwater operation.
- * **Economical** : Long-runable with less maintenance cost.

■ APPLICATIONS:

- Ideal for sewage, industrial & ground water drainage installation in the following fields.
- # Sewage pumping stations.
 - # Sewage treatment plants.
 - # Septic tanks.
 - # Collecting & settling sumps.
 - # Flood & emergency.
 - # Anywhere drainage of dirty water with rags mixed in.
- * **Residential Sites**
 - # Residential houses
 - # Small groups of houses
 - # Flats & apartment
 - * **Commercial Sites**
 - # Restaurants & shops
 - # Markets & supermarkets
 - # Hospitals
 - # Laundries
 - # Stations
 - # Theaters
 - # Garages
 - * **Industrial Sites**
 - # Mills & factories, for pumping slurry, sludge, viscous & dirty water arised during processes.
 - # Industrial buildings.
 - # Sewage treatment plants.
 - # Water purification plants.

Shredder Mechanism:



■ SOLIDS HANDLING

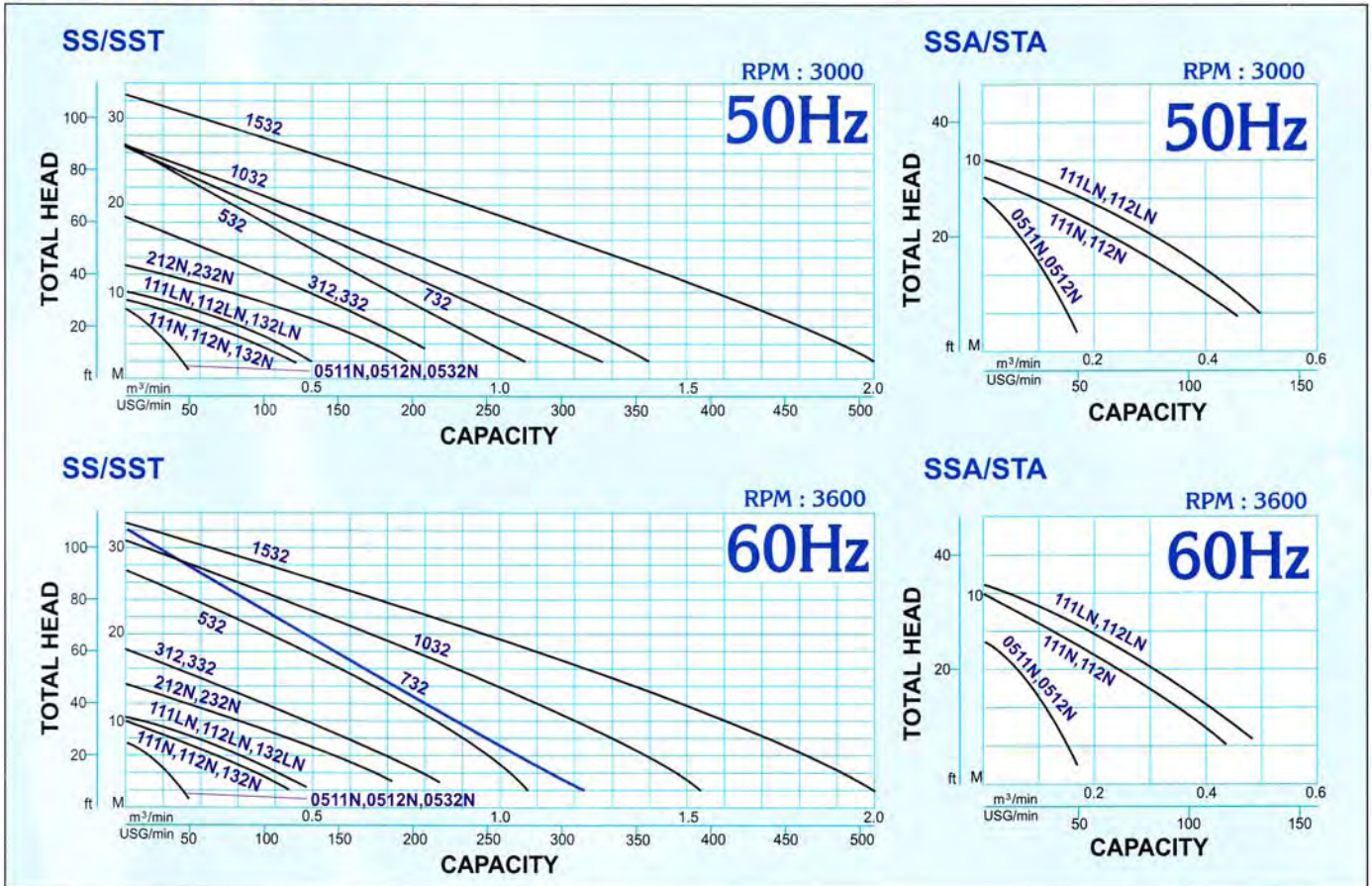
TYPE	111-112-113	212-232	312-332	532	732	1032	1532
Spherical Solid Passage	25 mm	28 mm	28 mm	32 mm	26 mm	26 mm	30 mm

■ SPECIFICATIONS:

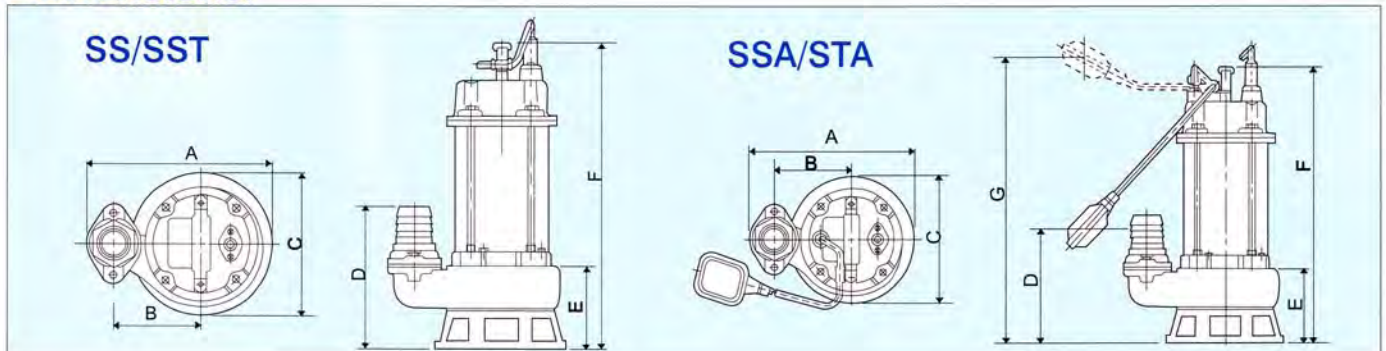
■ DIMENSIONS:

型式 TYPE	電動機 MOTOR			抽水機 PUMP				電纜 Cable	重量 Weight	尺寸 SIZE							
	Power kW(HP)	Phase PH	Volt V	Disch. Dia. inch(mm)	Max. Head		Max. Flow			A	B	C	D	E	F	G	
					50Hz	60Hz	50Hz										60Hz
SEWAGE PUMP										SS (With Ceramic Carbon Seal) SST (With Silicon Carbide Seal)							
SS-0511N	0.4(1/2)	1	110	2" (50)	8.0	8.0	0.20	0.20	1.25 ² x6	11	230	102	180	165	85	350	
SS-0512N			220														
SS-0532N			200-480														
SS-111N SST-111N	0.75(1)	1	110	2" (50)	9.6	10.0	0.50	0.52	2 ² x6	22	290	135	225	205	115	470	
SS-112N SST-112N			220														
SS-132N SST-132N			200-480														
SS-111LN SST-111LN	0.75(1)	1	110	3" (80)	10.0	10.3	0.60	0.60	2 ² x6	24	320	150	225	240	117	470	
SS-112LN SST-112LN			220														
SS-132LN SST-132LN			200-480														
SS-212N SST-212N	1.5(2)	3	200-480	3" (80)	13.0	14.1	0.80	0.82	3.5 ² x10	36	355	165	265	260	140	550	
SS-232N SST-232N			200-480														
SS-312 SST-312			200-480														
SS-332 SST-332	2.2(3)	3	200-480	4" (100)	18.6	18.2	0.90	0.92	3.5 ² x10	53	410	192	265	290	140	580	
SS-532 SST-532	3.7(5)	3	200-480														
SS-732 SST-732	5.5(7 1/2)	3	200-480														
SS-1032 SST-1032	7.5(10)	3	200-480	4" (100)	27.0	31.3	1.50	1.60	5.5 ² x10	88	435	210	280	300	150	615	
SS-1532 SST-1532	11(15)	3	200-480														
			200-480														
AUTOMATIC SEWAGE PUMP										SSA (With Ceramic Carbon Seal) STA (With Silicon Carbide Seal)							
SSA-0511N	0.4(1/2)	1	110	2" (50)	8.0	8.0	0.20	0.20	1.25 ² x6	11	230	102	180	110	85	390	320
SSA-0512N			220														
SSA-111N STA-111N			110														
SSA-112N STA-112N	0.75(1)	1	220	2" (50)	9.6	10.0	0.50	0.52	2 ² x6	22	290	135	225	130	115	470	590
SSA-111LN STA-111LN			110														
SSA-112LN STA-112LN			220														
	0.75(1)	1	110	3" (80)	10.0	10.3	0.60	0.60	2 ² x6	24	320	150	225	130	117	470	590
			220														
			220														

■ PERFORMANCE CURVES

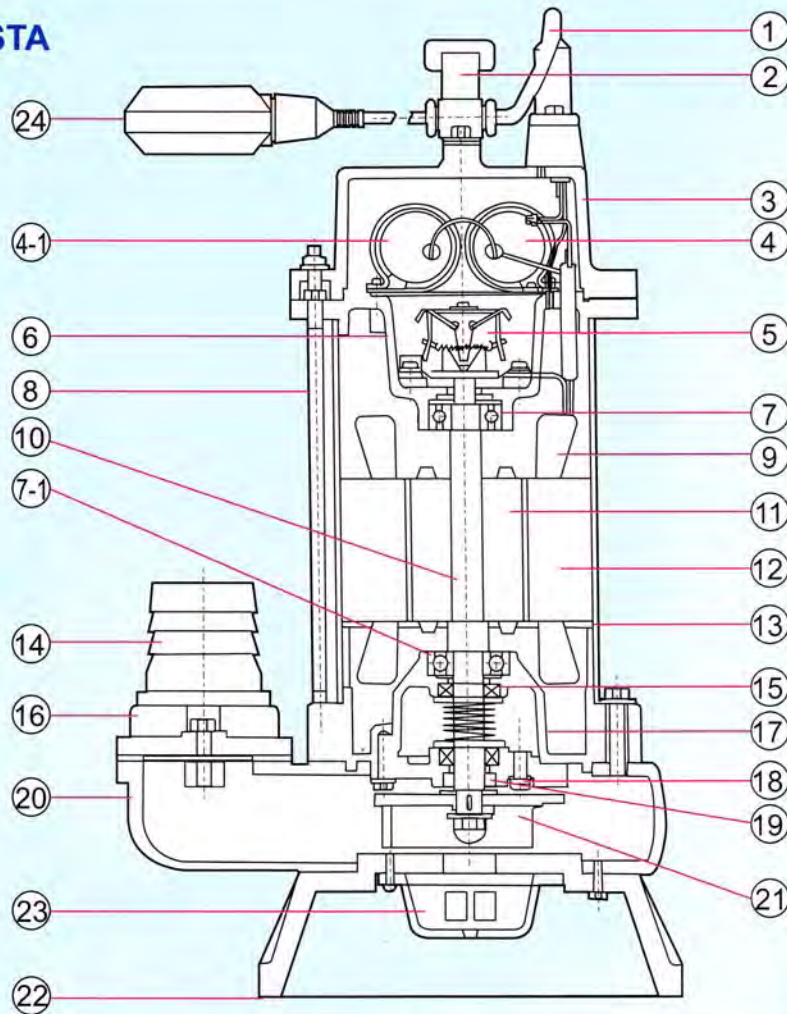


■ DIMENSIONS:



■ CONSTRUCTIONS:

SS/SSA/SST/STA



ITEM NO.	PARTS LIST	MATERIAL	ITEM NO.	PARTS LIST	MATERIAL
1	Cable	V. C. T.	13	Motor Casing	Stainless Steel
2	Handle	Stainless Steel	14	Hose Coupling	Plastic/Cast Iron
3	Motor Head Cover	Cast Iron	15	Mechanical Seal	Ceramic Carbon(SS/SSA)
4	Running Capacitor	μF			Silicon Carbide(SST/STA)
4-1	Starting Capacitor	MFD	16	Flange Setter	Cast Iron
5	Centrifugal Switch		17	Motor Lower Cover	Cast Iron
6	Upper Bracket	Cast Iron	18	Mechanical Seal Cover	Cast Iron
7	Upper Ball Bearing		19	Oil Seal	Synthetic Rubber
7-1	Lower Ball Bearing		20	Pump Casing	Cast Iron
8	Bolt	Stainless Steel	21	Impeller	Cast Iron
9	Coil		22	Suction Cover	Cast Iron
10	Shaft	Stainless Steel	23	Strainer	Plastic
11	Rotor	Steel Plate	24	Floating Switch	Only for SSA / STA
12	Stator	Steel Plate			

修耐電機股份有限公司
SHOWFOU ELECTRIC MACHINE CO., LTD.

高雄縣岡山鎮(820)本工路66號
No. 66, Bengong Road, Gangshan
Kaohsiung County 820, Taiwan
Tel No.: (07) 6226590
Fax No.: +886-7-6226593
e-mail: showfou@ms11.hinet.net
http ://www.showfoupump.com

PT. LUKES INDONESIA

Lindeteves Trade Center Lt UG, Blok B1 No. 6
Jalan Hayam Wuruk, Jakarta - Indonesia
Phone : 021 - 6231 7842, 628 5144
Fax : 021 - 6231 0499
email : lukes@cbn.net.id



All specifications subject to change without notice.